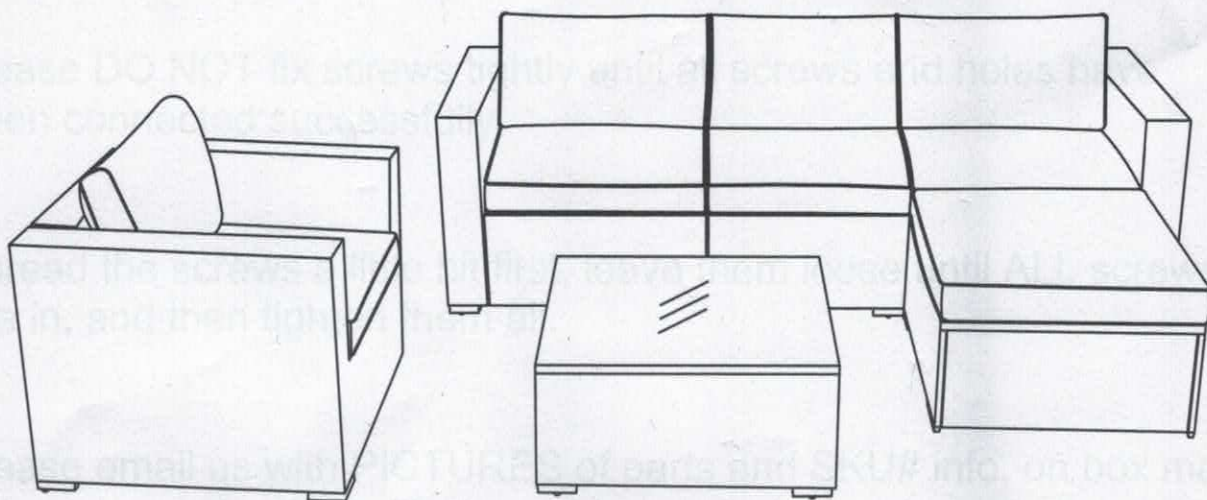


ITEM NAME: Outdoor Furniture 6 pcs Set



If there is any trouble with assembly or missing or damaged parts, please email us with detailed pictures and your order number via

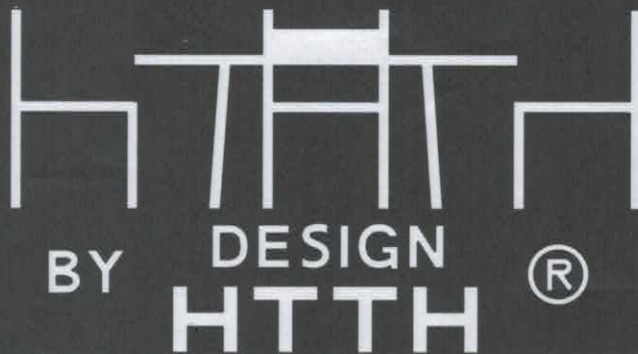
[info@htthdesign.com](mailto:info@htthdesign.com)

or contact us at:

<https://www.htthdesign.com>

Our after-sales department will respond to your emails within 24 hours.

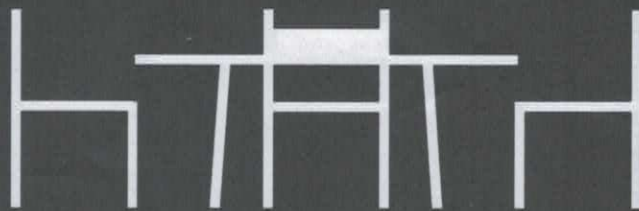
Thank you!



## IMPORTANCE

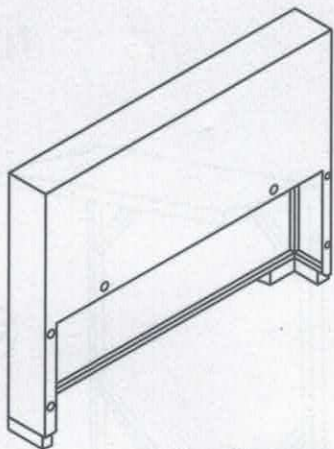
1. Please DO NOT fix screws tightly until all screws and holes have been connected successfully.
2. Thread the screws a little bit first, leave them loose until ALL screws are in, and then tighten them all.
3. Please email us with PICTURES of parts and SKU# info. on box marks if there is any trouble with assembly or missing or damaged parts.
4. Don't expose cushions in the BURNING sun for a long time, please cover the set or put cushions indoor during rainy or snowy days.
5. Please DO NOT discard packing boxes before all parts are assembled successfully.
6. DO NOT touch the glass with bare hands if the glass is broken during the express shipping.

Thank you!

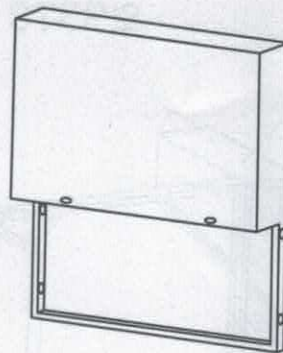


BY DESIGN  
HTTH®

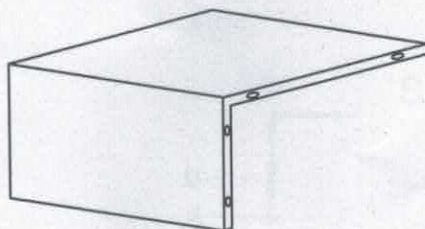
### Parts List of Single Sofa



A 2pcs  
(Armrest)



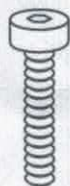
B 1pc  
(Backrest)



C 1pc  
(Seat Panel)



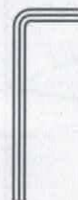
a Ø6  
28pcs+1pc



b M6\*50mm  
14pcs+1pc



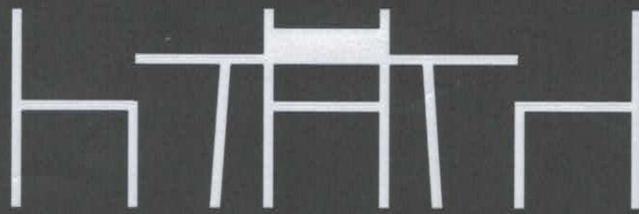
c M6  
14pcs+1pc



Allen Key  
1pc



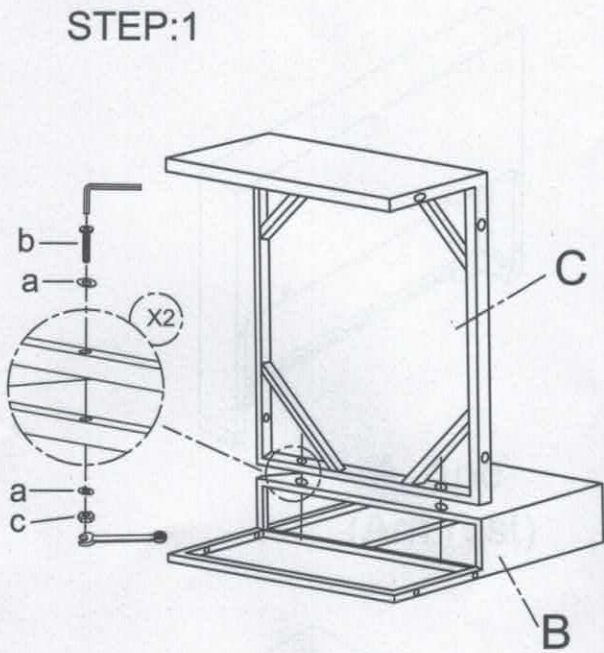
Spanner  
1pc



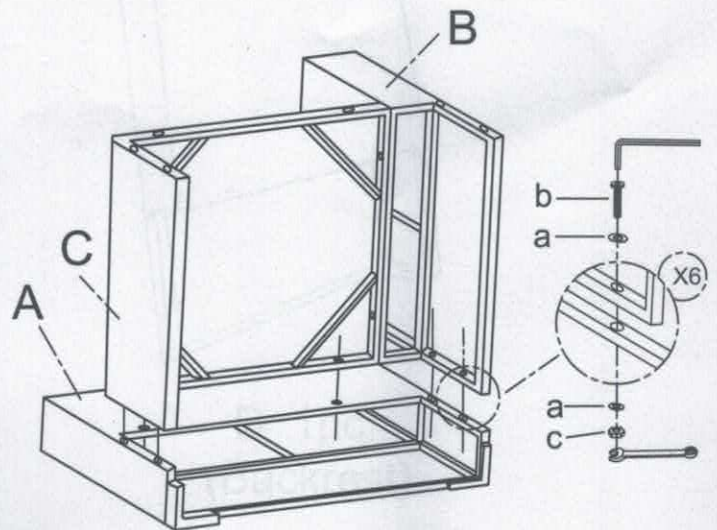
BY DESIGN  
HTTH®

### Assembly Steps for Single Sofa

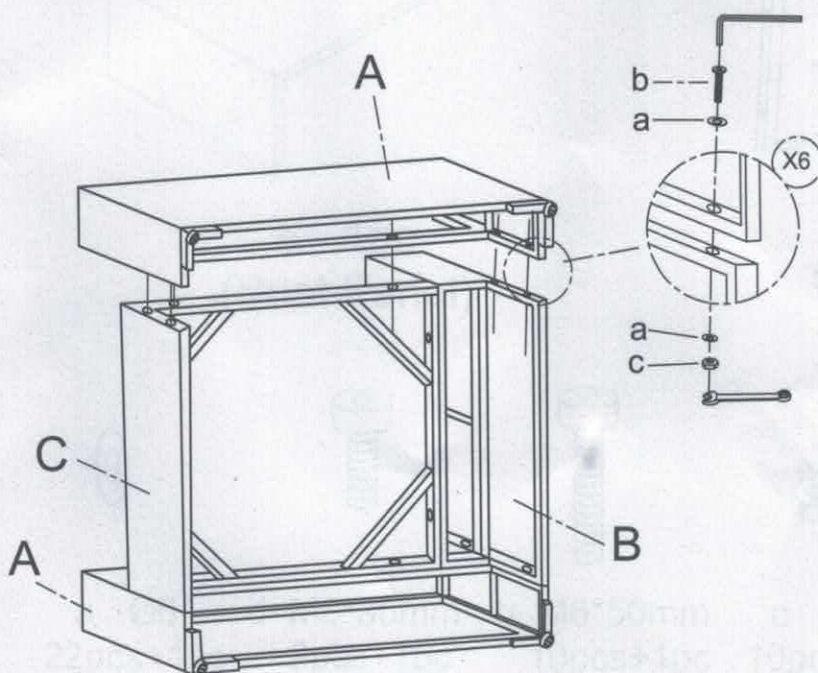
STEP:1



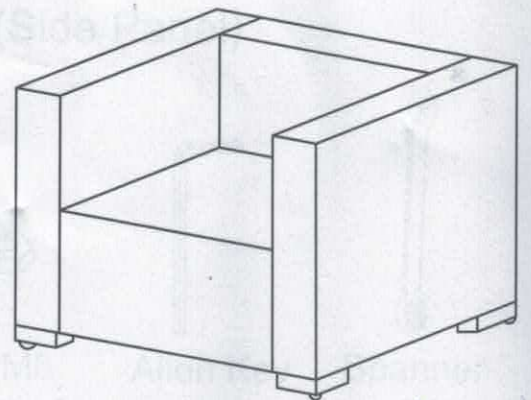
STEP:2

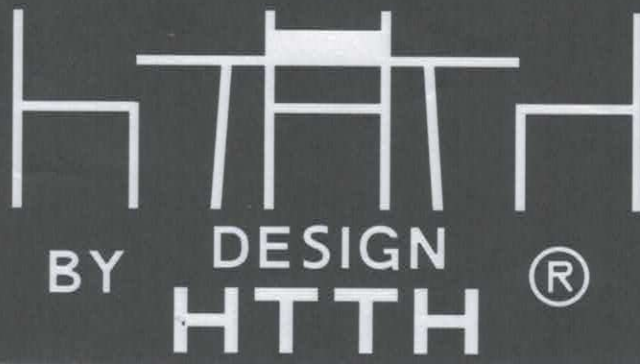


STEP:3

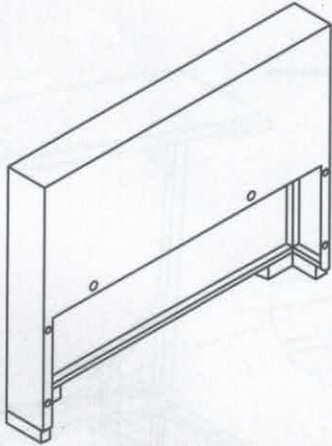


STEP:4

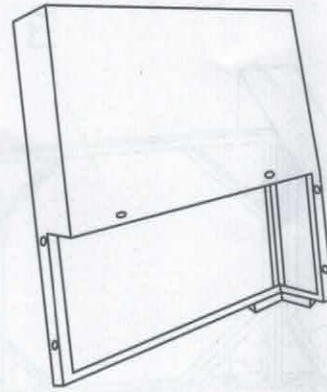




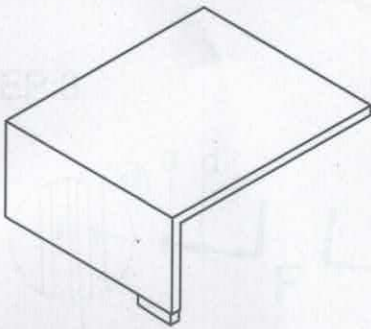
## Parts List of Right-hand Sofa



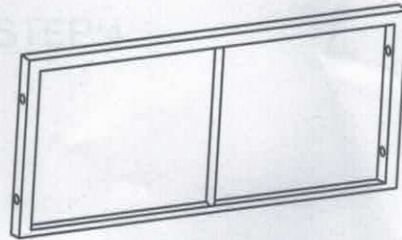
A 1pc  
(Armrest)



D 1pc  
(Backrest)



E 1pc  
(Seat Panel)



F 1pc  
(Side Panel)



a Ø6  
22pcs+1pc



d M6\*35mm  
2pcs+1pc



b M6\*50mm  
10pcs+1pc



c M6  
10pcs+1pc



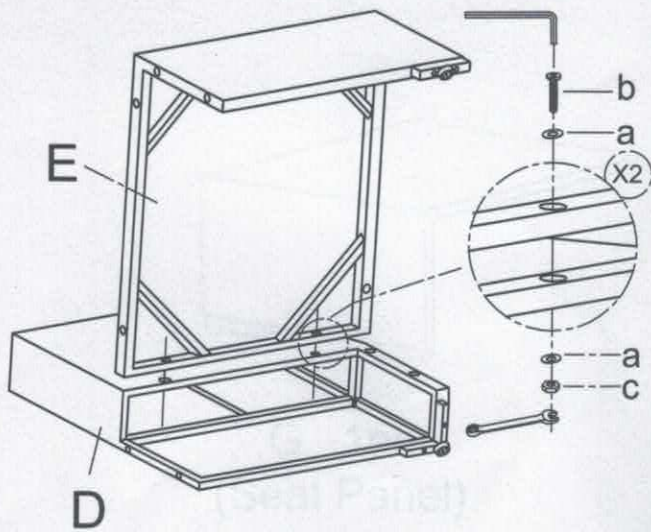
Allen Key  
1pc



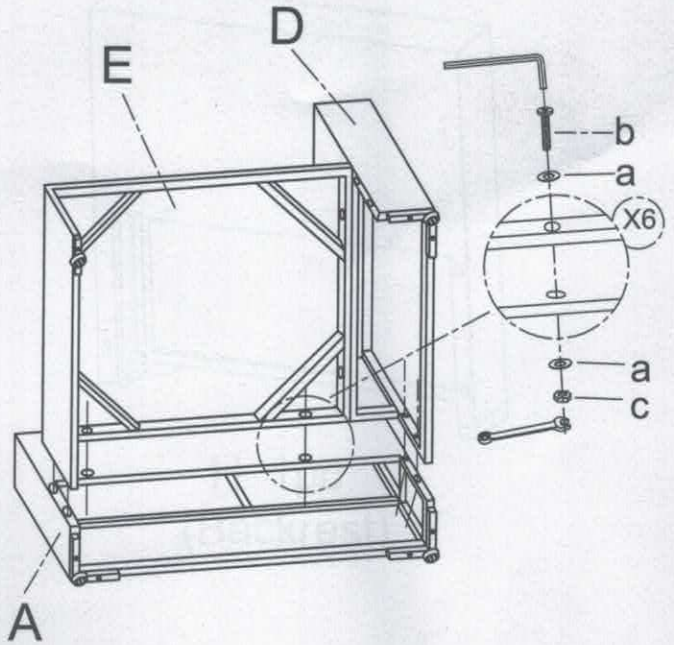
Spanner  
1pc

Assembly Steps for Right-hand Sofa

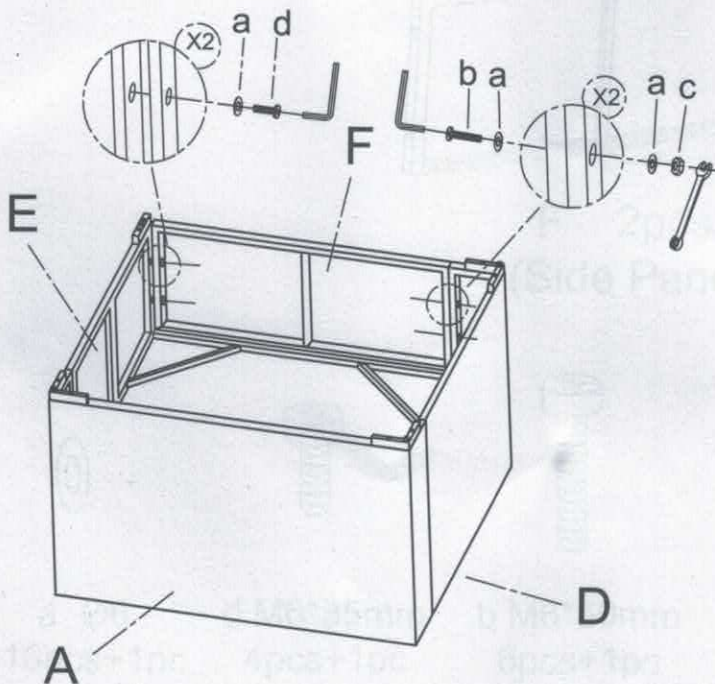
STEP:1



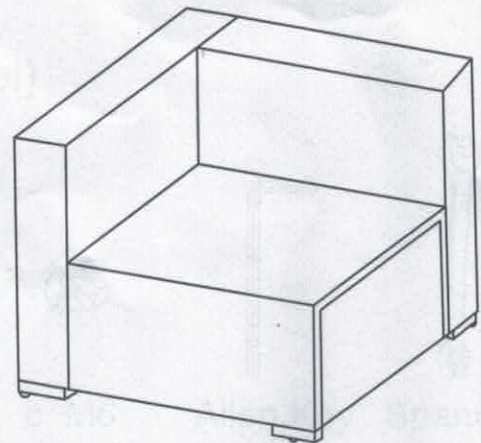
STEP:2



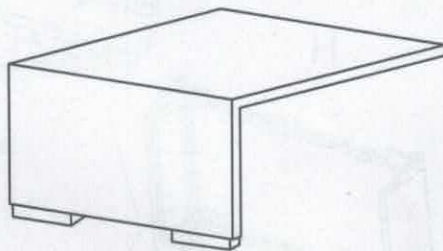
STEP:3



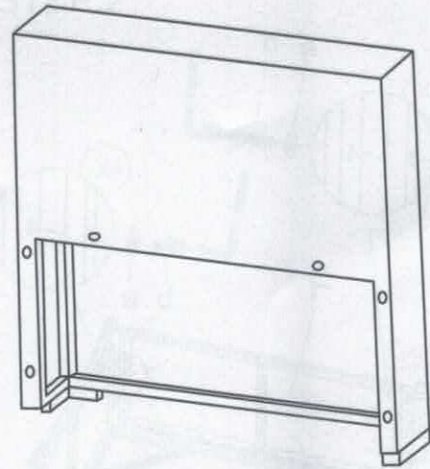
STEP:4



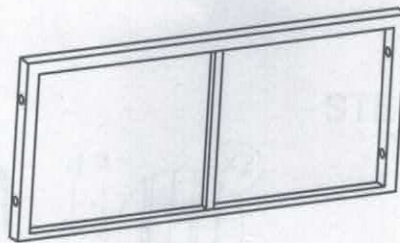
Asses Parts List of Middle Sofa



G 1pc  
(Seat Panel)



H 1pc  
(Backrest)



F 2pcs  
(Side Panel)



a Ø6  
16pcs+1pc



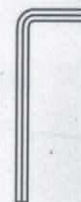
d M6\*35mm  
4pcs+1pc



b M6\*50mm  
6pcs+1pc



c M6  
6pcs+1pc



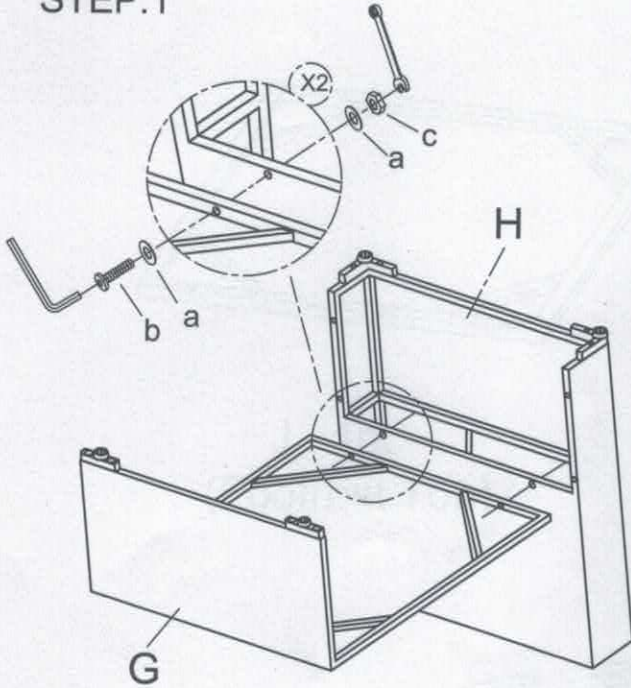
Allen Key  
1pc



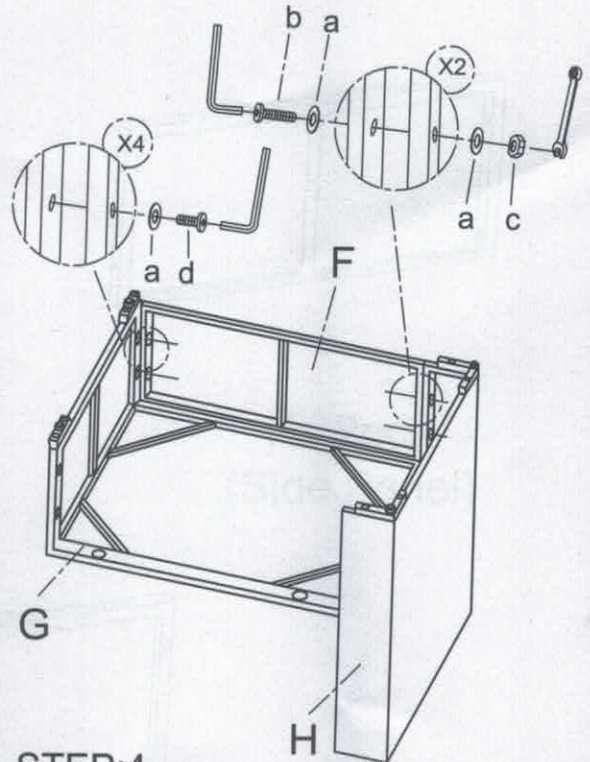
Spanner  
1pc

Assembly Steps for Middle Sofa

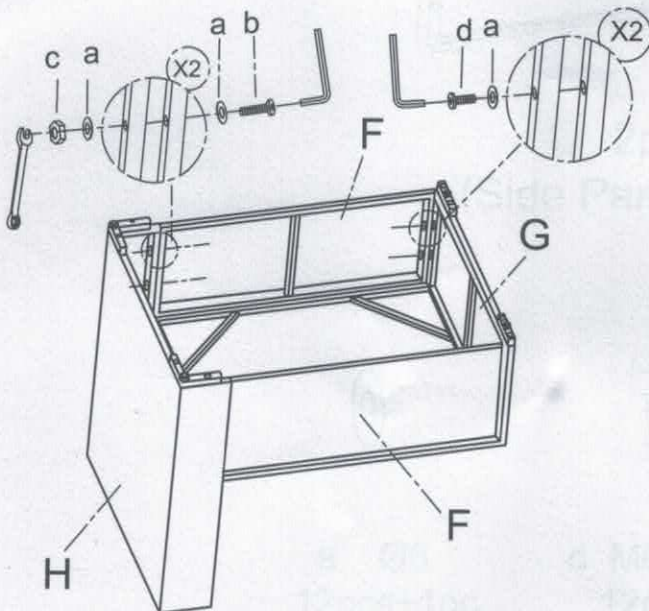
STEP:1



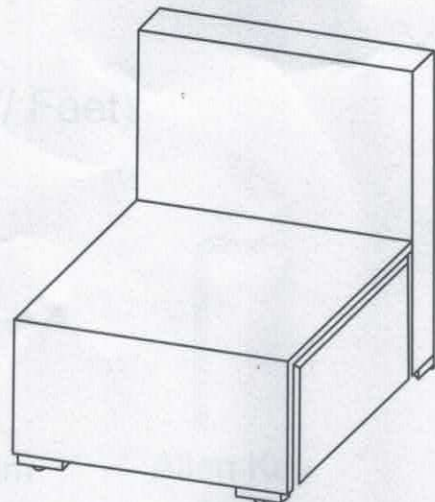
STEP:2



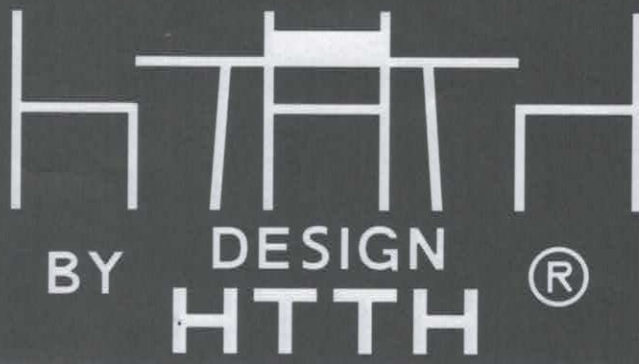
STEP:3



STEP:4

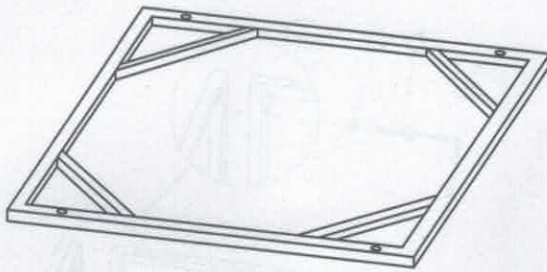






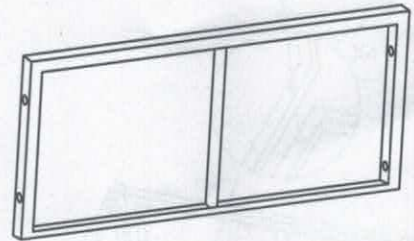
## Parts List of Footrest

STEP 1

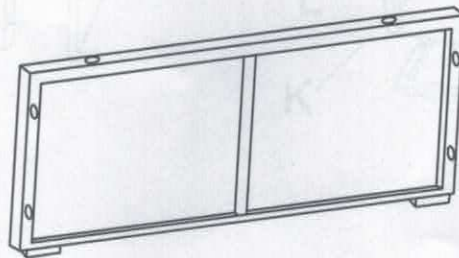


J 1pc  
(Footrest Top)

STEP 2



K 2pcs  
(Side Panel)



L 2pcs  
(Side Panel W/ Feet)

STEP 3



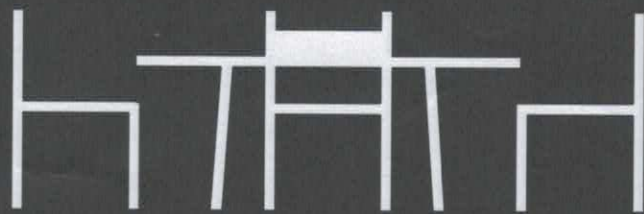
a Ø6  
12pcs+1pc



d M6\*35mm  
12pcs+1pc



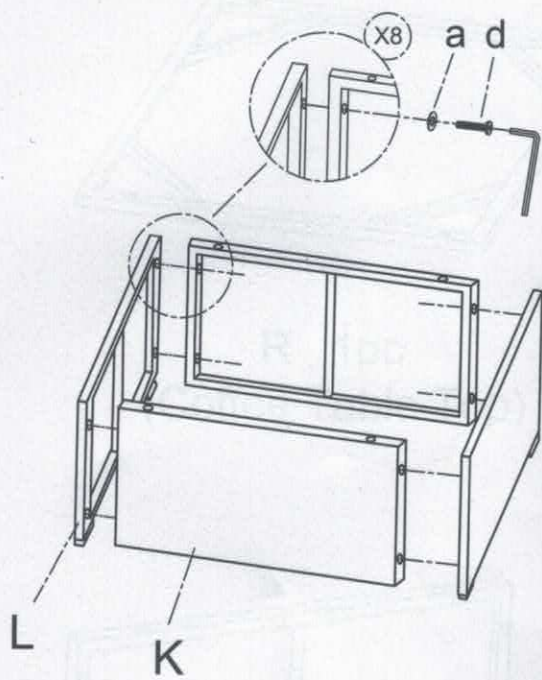
Allen Key  
1pc



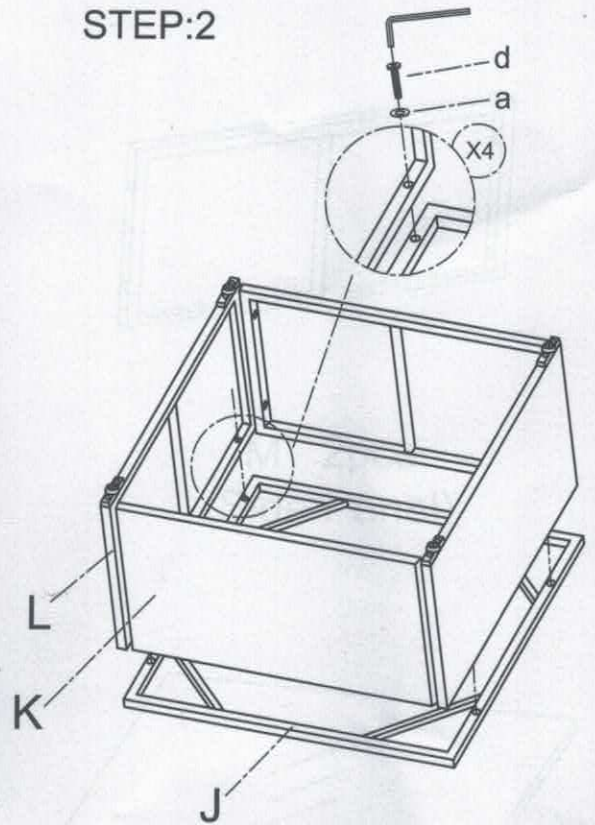
BY DESIGN  
HTTH®

### Assembly Steps for Footrest

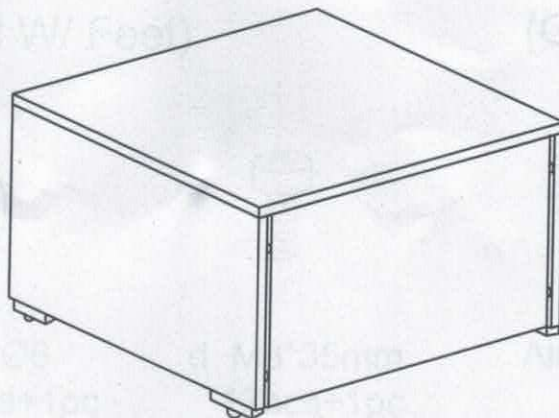
STEP:1



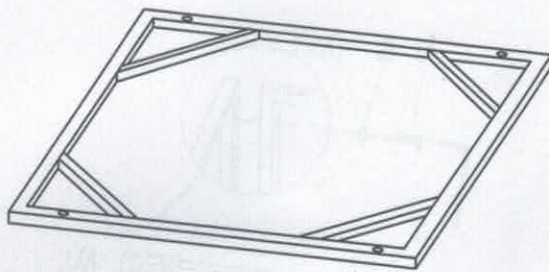
STEP:2



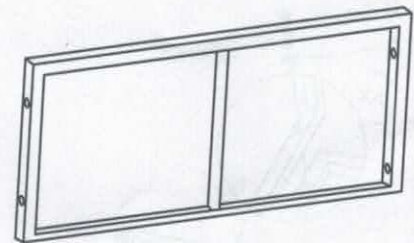
STEP:3



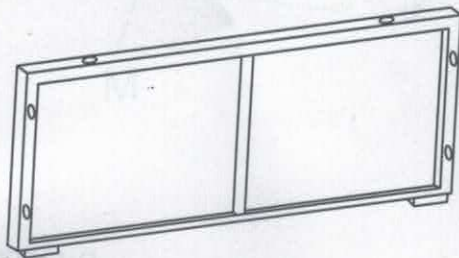
## Parts List of Coffee Table



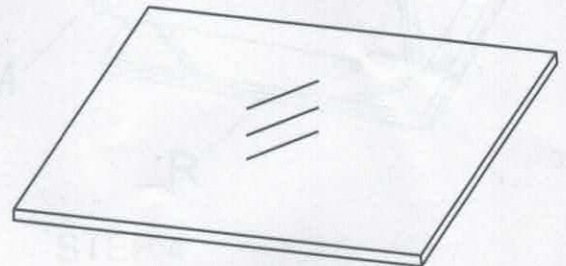
R 1pc  
(Coffee Table Top)



M 2pcs  
(Side Panel)



N 2pcs  
(Side Panel W/ Feet)



1pc  
(Glass)



a Ø6  
12pcs+1pc



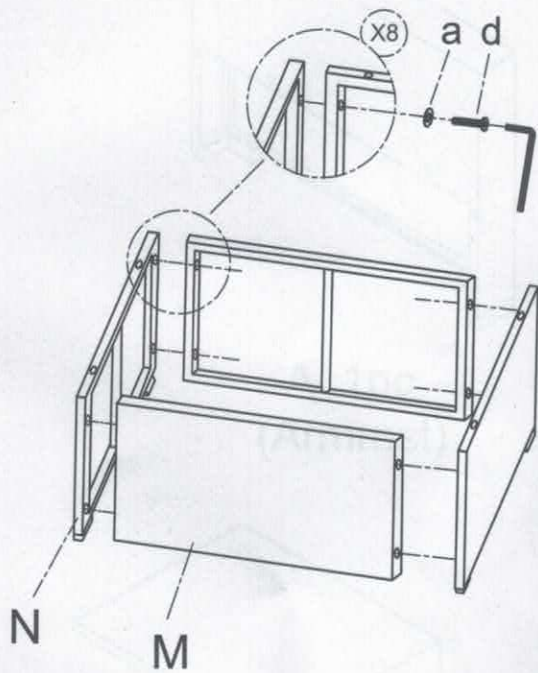
d M6\*35mm  
12pcs+1pc



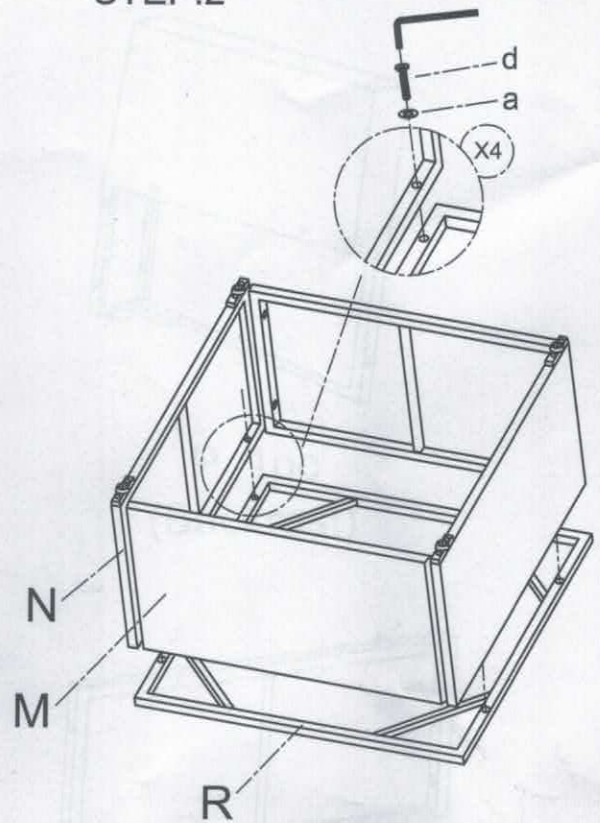
Allen Key  
1pc

### Assembly Steps for Coffee Table

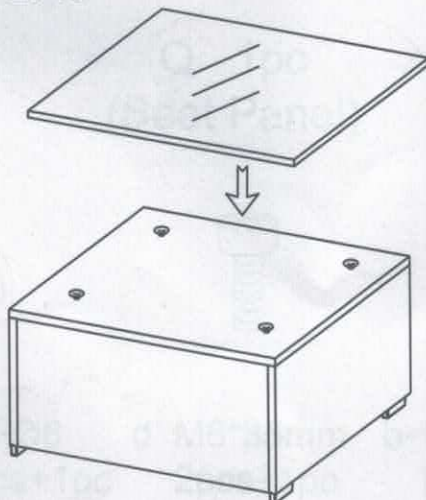
STEP:1



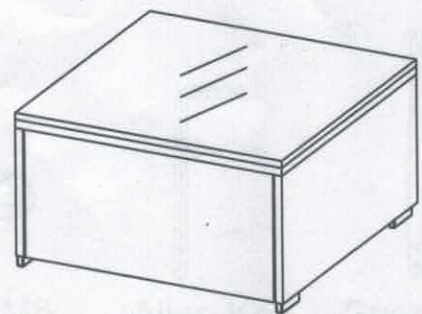
STEP:2

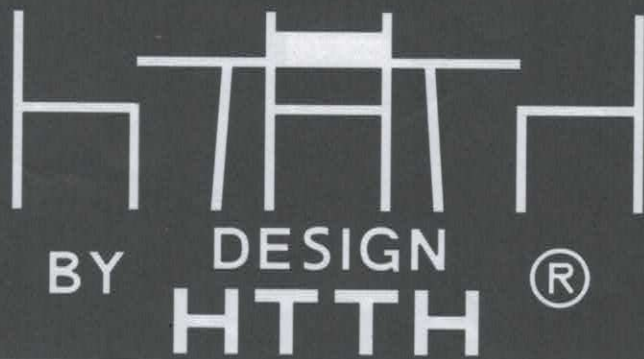


STEP:3

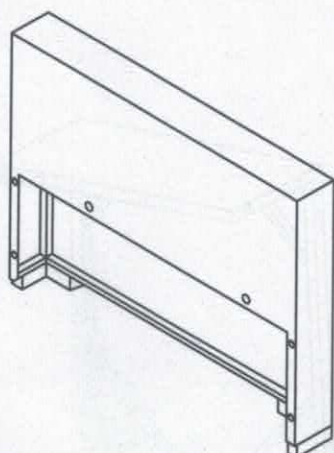


STEP:4

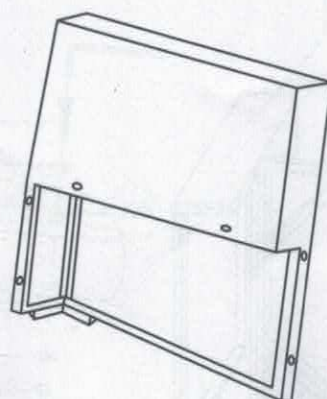




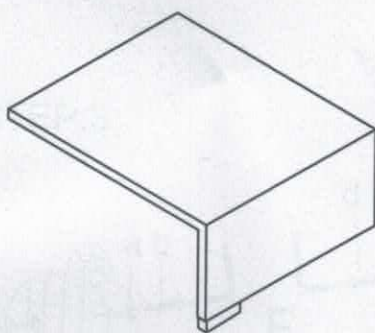
## Parts List of Left-hand Sofa



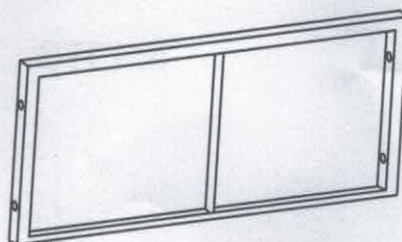
A 1pc  
(Armrest)



P 1pc  
(Backrest)



Q 1pc  
(Seat Panel)



F 1pc  
(Side Panel)



a Ø6  
22pcs+1pc



d M6\*35mm  
2pcs+1pc



b M6\*50mm  
10pcs+1pc



c M6  
10pcs+1pc



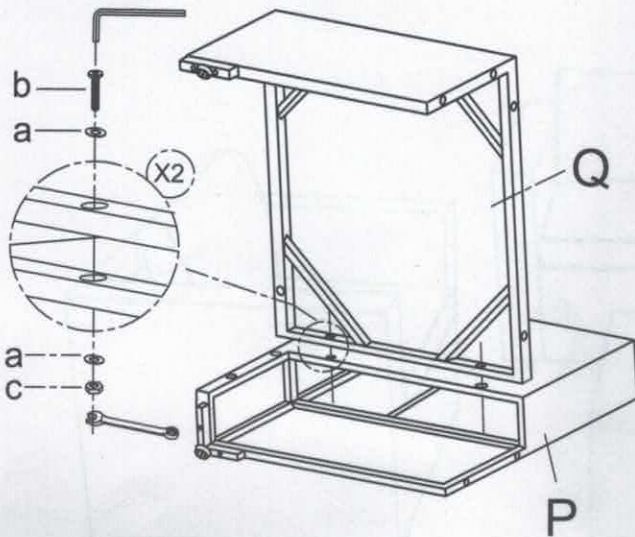
Allen Key  
1pc



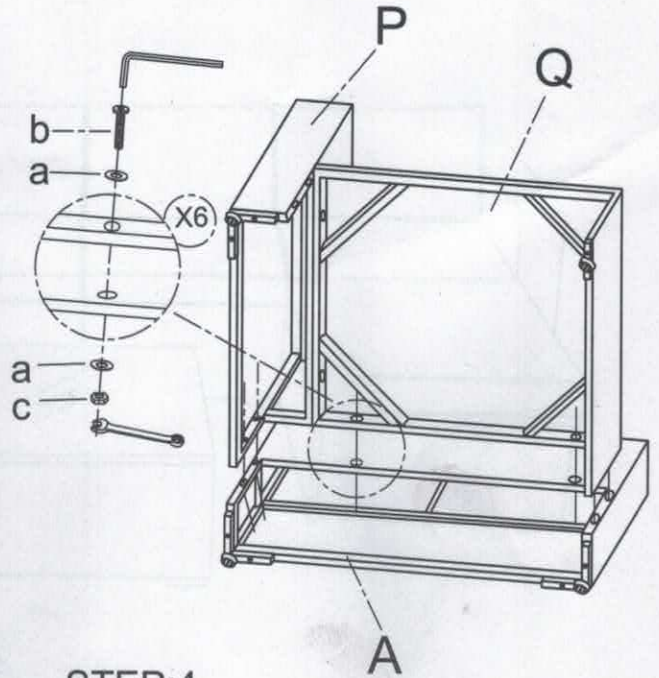
Spanner  
1pc

Assembly Steps for Left-hand Sofa

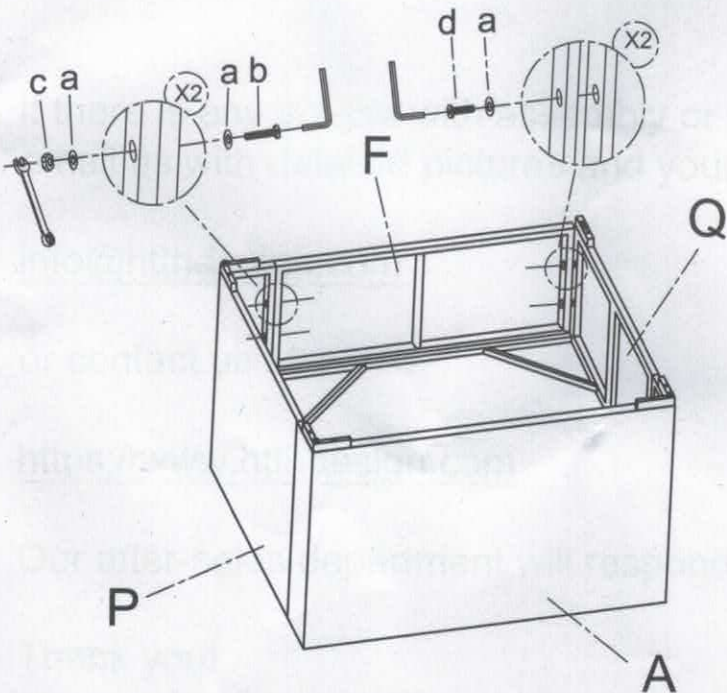
STEP:1



STEP:2



STEP:3



STEP:4

